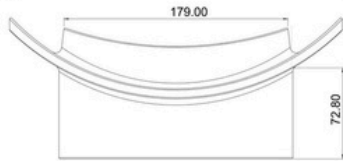
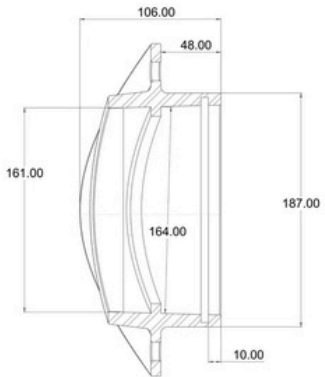
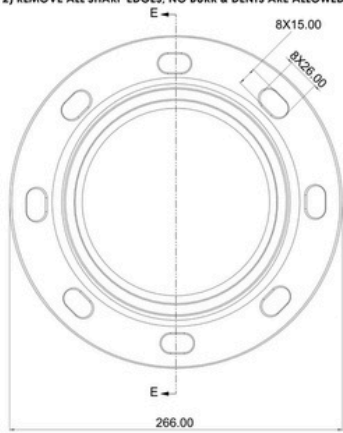


16 15 14 13 12 11 10 9 8 7 6 5 4 3 2 1

NOTE : 1) KINDLY FOLLOW 3D DATA FOR UNSPECIFIED DIMENSIONS.
2) REMOVE ALL SHARP EDGES, NO BURR & DENTS ARE ALLOWED.



| | | | | | |
|---|-----------|------------|--|--------------|------------|
| <small>UNLESS OTHERWISE SPECIFIED: DIMENSIONS ARE IN MILLIMETERS TOLERANCES: FRACTIONS > 1/16 MM DECIMALS > 1.5 MIN. HOLE SLIP FITS 1 MM MAX SURFACE FINISH: 32 - 125</small> | | | <small>THIS DRAWING IS THE PRIVATE PROPERTY OF "NEK" AND CAN NOT BE USED, REPRODUCED OR COPIED WITHOUT THE WRITTEN PERMISSION OF THE COMPANY. ALL LEGAL RIGHTS RESERVED.</small> | | |
| NAME | SIGNATURE | DATE | HEAT TREATMENT: | | |
| DRAWN: NEK | | 01.05.2020 | | | |
| CHK'D: | | | MATERIAL: | | |
| APP'VD: | | | ASTM A35N OR A5-45 12 | | |
| WFO: | | | PROJECT: | | |
| SKP: | | | 01 | | |
| DO NOT SCALE DRAWING | | | WEGAR 3045 | SHEET 1 OF 1 | SCALE: 1:1 |

NEK CASTINGS & INFRASTRUCTURE PRODUCTS

| | |
|----------------------------|--------------------|
| PART NAME: SEWER SADDLE | REVISION: A |
| | PART NUMBER: 16 |

| REVISIONS | | | | |
|-----------|------------|------------------|-----------------|-----------------|
| REV. | DATE | DESCRIPTION | EARLIER WAS | CHANGED TO |
| A | 24-04-2025 | DRAWING RELEASED | INITIAL RELEASE | INITIAL RELEASE |

16 15 14 13 12 11 10 9 8 7 6 5 4 3 2 1